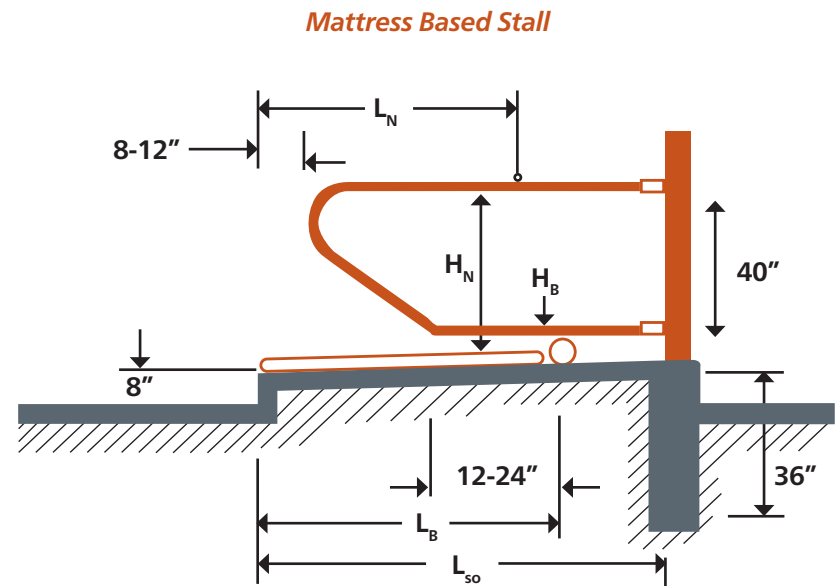
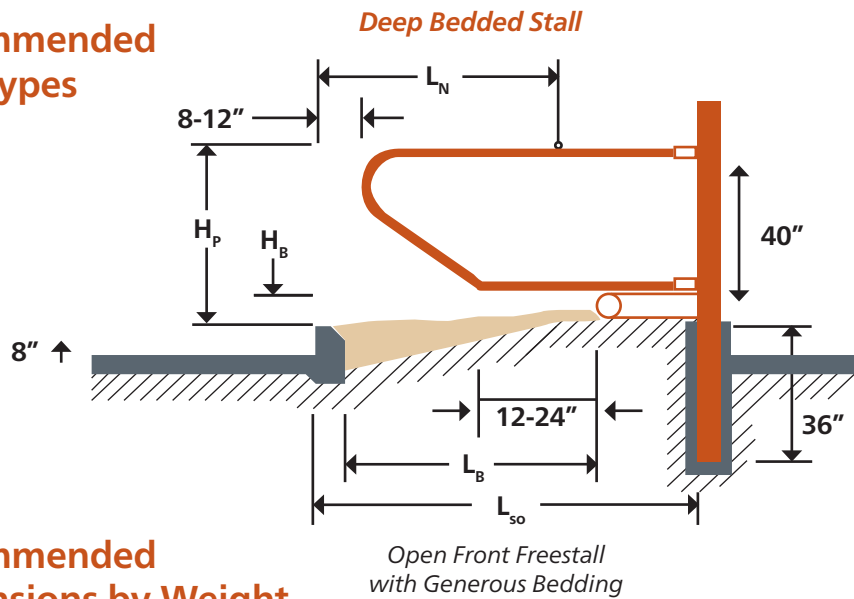


Recommended Stall Types



Recommended Dimensions by Weight

Animal Weight (lbs)	Total stall length-closed front (LSC) (in)	Total stall length-open front (LSO) (in)	Length to brisket locator (LB) (in)	Length to neck rail (LN) (in)	Stall width center to center (WS) (in)	Height to top of partition (HP) (in)	Height to neck rail (HN) (in)	Brisket locator height (HB) (in)
900-1100	90-96	84-90	64-66	62-64	41-43	42-44	42-44	4-5
1100-1300	102-108	90-96	66-68	64-66	43-45	44-46	44-46	4-5
1300-1500	102-108	90-96	68-70	66-68	45-48	46-48	46-48	4-5
1500-1700	114-120	96-102	70-72	68-70	48-52	48-52	48-52	4-5
1700-1900	114-120	96-102	72-74	70-72	52-56	50-54	50-54	4-5
1900-2100	120-126	102-108	74-76	72-74	56-58	52-56	52-56	4-5

*Modified from Penn State University and University of Wisconsin Freestall Barn Recommendations

For more information about the Alltech On-Farm Support program, please contact DairyOnFarmSupport@Alltech.com or visit Alltech.com/on-farm-support